



XQ1 XQ4 XQ6

110 volts
UK-plug

EN Original Operating Instructions

Electronic Hand-Mixer



Collomix WK



	∅ mm	XQ1	XQ4	XQ6
WK 120	120	●	●	
WK 140	135		●	●

Collomix MK



	∅ mm	XQ1	XQ4	XQ6
MK 120	120	●	●	
MK 140	140		●	●
MK 160	160			●

Collomix KR



	∅ mm	XQ1	XQ4	XQ6
KR 120	120	●	●	
KR 140	140		●	●
KR 160	160			●

Collomix LX



	Ø mm	XQ1	XQ4	XQ6
LX 120	120	●	●	●

Collomix DLX



	Ø mm	XQ1	XQ4	XQ6
DLX 120	120	●	●	
DLX 152	150		●	●



*1) XQ1; XQ4; XQ6;

*2) EN IEC 55014-2:2021; EN IEC 61000-3-2:2019+A1; EN IEC 55014-1:2021;

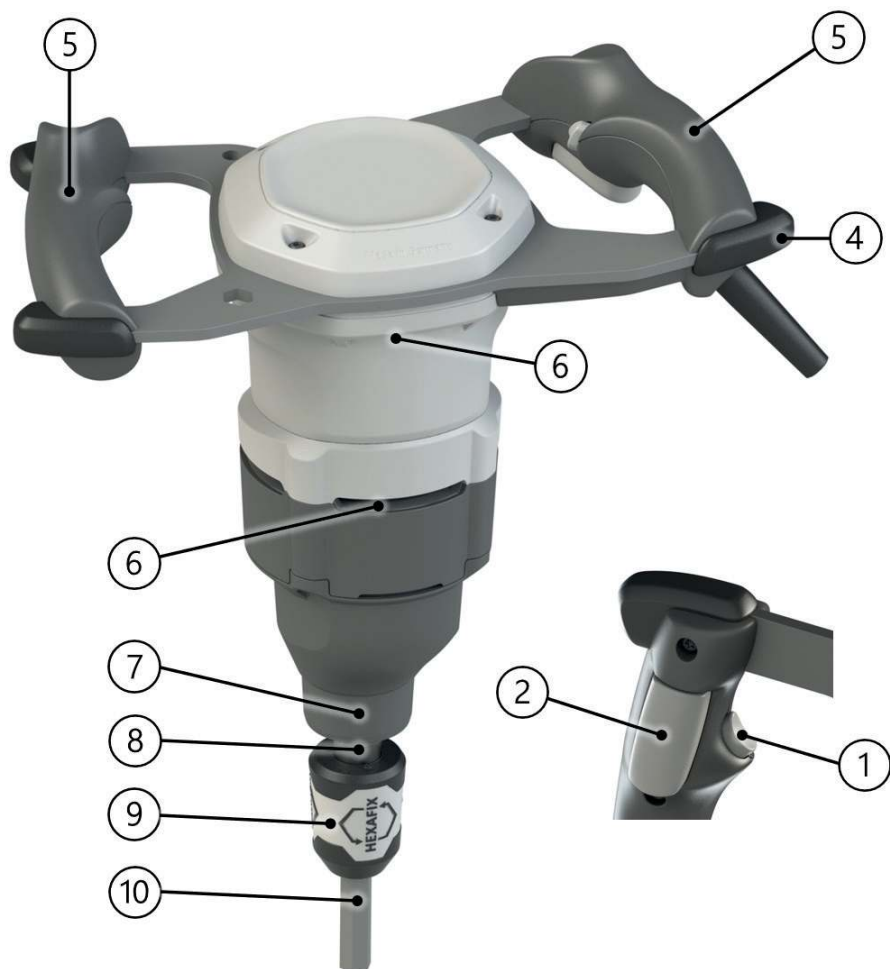
EN 61000-3-3:2013+A1+A2; EN 61000-3-11:2019; EN 62841-1:2015+A11; EN 62841-2-10:2017

*3) 2014/30/EU, 2006/42 EG, 2011/65/EU

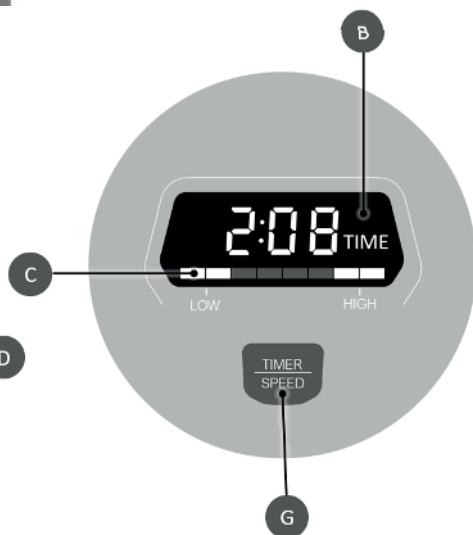
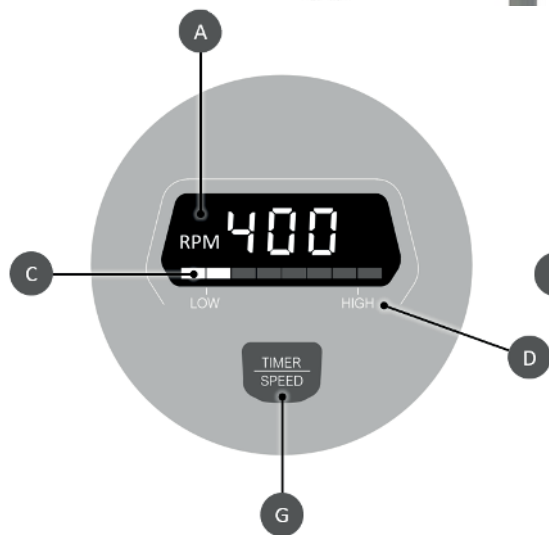
Gaimersheim, 2024-07-18
Alexander Essing
CEO

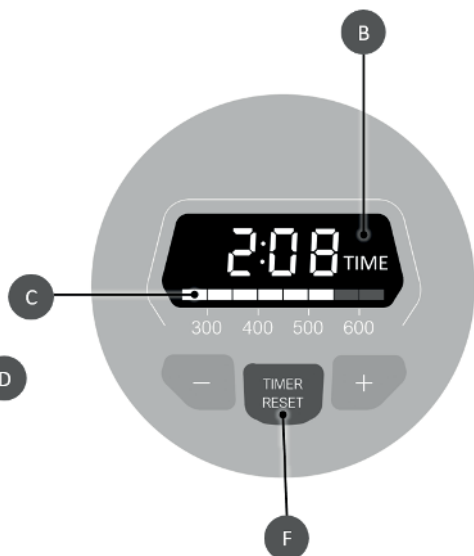
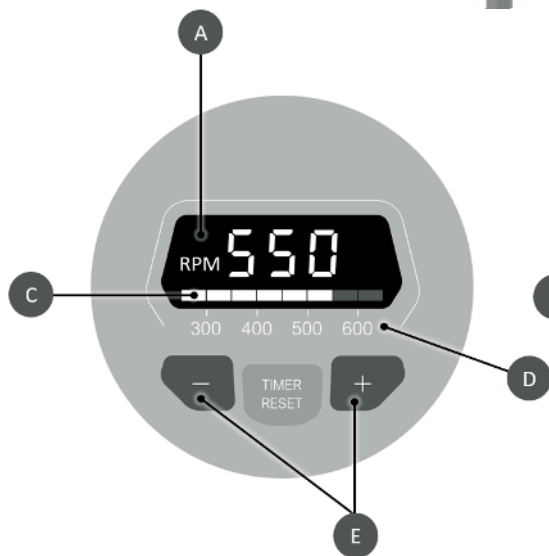
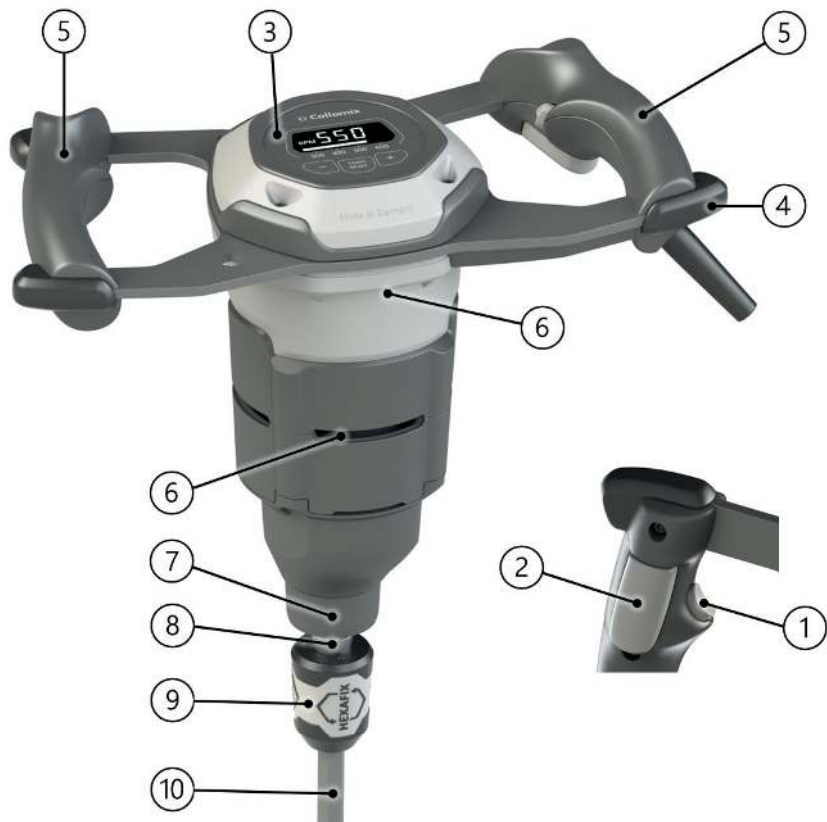
*4) Collomix GmbH, Abt. Technische Entwicklung, Daimlerstr. 9, 85080 Gaimersheim, Deutschland

XQ1



XQ4





XQ1 XQ4 XQ6

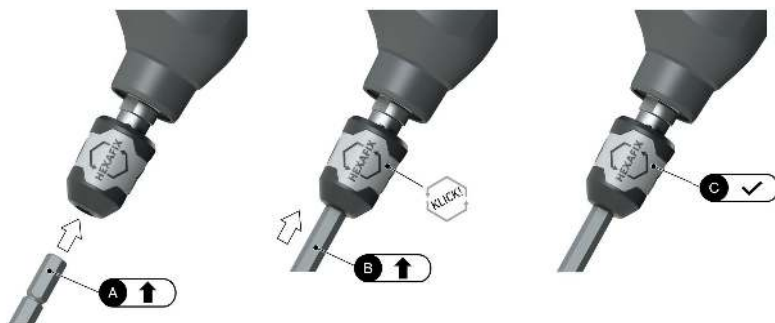


HEXAFIX

VIDEO



TUTORIAL



VIDEO



TUTORIAL



	XQ1	XQ4	XQ6
Rated power/Current consumption:	1100 W	1500 W	1750 W
Power supply:	110 volts AC	110 volts AC	110 volts AC
Frequency:	50 Hz	50 Hz	50 Hz
No-load speed:	$n_0 = 0 - 940 \text{ min}^{-1}$		
Rpm under load:	$n_L = 0 - 620 \text{ min}^{-1}$		
Controlled load speed:	$n_L =$	400 min^{-1} or 550 min^{-1} or 700 min^{-1}	300 min^{-1} to 750 min^{-1}
Threaded spindle mixing shaft:	5/8"x16 UN	5/8"x16 UN	5/8"x16 UN
Maximum mixing tool diameter:	120 mm	140 (150*) mm	170 mm
Weight w/o mixing tool:	4,3 kg	5,6 kg	5,7 kg
Protection class:	□ / II	□ / II	□ / II

Machine components

- 1 Release button for ON/OFF switch
- 2 ON/OFF switch
- 3 Display (XQ4/XQ6 only)
- 4 Handle frame with edge protection
- 5 Handles
- 6 Ventilation slits
- 7 Neck of the machine
- 8 Machine shaft
- 9 HEXAFIX adapter
- 10 Mixing tool with HEXAFIX-shaft

Noise/vibration levels

Measured values determined in accordance with EN 62841. The A-weighted noise level of the machine is typically:

	Sound pressure level L_{pA} [dB(A)]	Sound power level L_{WA} [dB(A)]
XQ1	81 dB(a)	89 dB(a)
XQ4	83 dB(a)	91 dB(a)
XQ6	83 dB(a)	91 dB(a)
Uncertainty K = 3 dB		

Overall vibration level (for mixing of mineral materials)

	Emission level a_n [m/s^2]
XQ1	3,6 m/s^2
XQ4	2,4 m/s^2
XQ6	3,1 m/s^2
Uncertainty K = 1,5 m/s^2	

WARNING:

The measured values which are provided apply to new machines. Noise and vibration levels change with day-to-day use.

NOTE

The vibration level given in these instructions was measured in accordance with a standardized method of measurement as defined in EN 62841 and can be used for the purposes of comparing electrical tools with each other. It is also suitable for a preliminary estimation of vibration strain. The vibration level which is given represents vibration level for the primary use of the electrical tool. If, however, the electrical tool is used for any other purposes, with different plug-in tools or with insufficient maintenance, the vibration level may vary. This can result in a significantly higher level of vibration strain over the work period as a whole.

For a precise estimation of the vibration strain the times when the machine is switched off have to be taken into account as well, as do the times when it is running but is not actually being used. This can result in a significantly reduced level of vibration strain over the work period as a whole.

EU Declaration of Conformity

We declare under our sole responsibility that this products ***1)** comply with the following standards or normative documents ***2)** as well as the provisions of the applicable directives ***3)**. Technical documentation can be requested from ***4)** - for detailed information see **page 2**.

Machine-specific safety instructions

⚠ WARNING: Read all safety warnings, instructions, illustrations and specifications provided with this power tool. Failure to follow all instructions listed below may result in electric shock, fire and/or serious injury.

Save all warnings and instructions for future reference.

The term "power tool" in the warnings refers to your mains-operated (corded) power tool or battery-operated (cordless) power tool.

To be able to use the machine safely it is essential that you read the operating instructions and the safety instructions thoroughly and comply with all of them. The machine is to be used only by persons who have read the operating instructions and who are acquainted with the occupational safety and accident prevention regulations in force in your country.

⚠ DANGER: In addition, you must also comply with the general safety instructions also included with the machine.

- ▶ Take care to ensure that the mains power supply corresponds to the specifications on the rating plate.
- ▶ Hold the machine with both hands on the handles provided. Loss of control can lead to injuries.
- ▶ To avoid a dangerous atmosphere, ensure adequate ventilation when mixing flammable substances. Vapours formed may be inhaled or ignited by sparks generated by the power tool.
- ▶ Do not stir any food. Power tools and their insert tools are not designed for processing food.
- ▶ Keep the power cord away from the working area. The mains cable may get caught in the stirring basket.
- ▶ Ensure that the mixing bucket is firmly and safely positioned. An improperly secured bucket may move unexpectedly.
- ▶ Make sure that no liquid splashes against the housing of the power tool. Liquid entering the power tool can cause damage and electric shock.
- ▶ Follow the instructions and safety instructions for the material to be mixed. The material to be mixed may be harmful to health.
- ▶ If the power tool falls into the material to be mixed, immediately unplug the power plug and have the power tool checked by qualified personnel. Reaching into the bucket with the power tool still hanging from the socket inside it can lead to an electric shock.
- ▶ Do not reach into the stirring container with your hands or insert any other objects while stirring. Contact with the paddle can cause serious injury.
- ▶ Only let the power tool run on and off in the stirring bucket. The paddle can spin around or bend in an uncontrolled manner.

Further safety instructions:

- ▶ Do not wind cables or leads around any parts of your body.
- ▶ Do not use the machine with a damaged cable. Do not touch the cable and pull out the power plug immediately. There is an increased risk of electric shock from damaged cables. If the mains power cable has to be replaced (because of damage or similar), ensure that it is replaced by the manufacturer or an authorized representative of the manufacturer (electrician) in order to avoid any risk to safety.
- ▶ Hold the machine by the insulated grip surfaces when carrying out work where it may be possible for the plug-in tool to come into contact with concealed power cables or the machine's own mains power cable. Contact with a live cable may make metal components of the machine live as well and could cause an electric shock.
- ▶ Before starting up, check that the mixing rod is securely attached and rotates without a hitch.
- ▶ Only operate the machine and the mixing tool in perfect condition. Do not use damaged, bent or worn paddles.
- ▶ The switches on the machine must not be fixed!
- ▶ If the sound pressure level should exceed 85 dB (A) where you are working, use ear protection!
- ▶ We recommend that you wear work gloves and protective goggles when using the mixer. Regulations require that you wear close-fitting clothing.
- ▶ Always connect machines via a residual current device (RCD) with a rated residual current of 30 mA or less.



Read and observe the operating instructions for the machine before you start it up!



Always wear protective goggles and ear protection while working.



It is advisable to wear a dust mask whenever working with materials which generate large amounts of dust.

The machine is designed for mixing liquid and powder-based building products such as paints, mortar, adhesives, plaster and similar substances. Use the right mixing tool for the consistency of the material and the quantity to be mixed.

Please refer to the information in the technical data when choosing the size of mixing tool (diameter/mixing action). If the wrong mixing action or mixing tool diameter is selected, this may cause the machine/gear unit to become overloaded and lead to damage as a result. Please remember that a mixing tool with a mixing action from the top down puts a greater strain on the electrical tool than one with the reverse mixing action.

This electrical tool is not designed for use in continuous operation.

Given the high torque levels generated by the machine, it must not be used as a power drill.

The machine must not be used for the preparation of foodstuffs.

The machine is not suitable for mixing materials containing graphite dust, brine or slurry. Mixing of these materials or substances may damage the machine beyond repair.

Assembly

⚠ DANGER: Always pull the power plug out of the socket outlet before carrying out any work on the machine.

Fitting the mixing tool mount:

Take the HEXAFIX coupling supplied with the packaging and screw it to the male thread (5/8") of the machine shaft.

HEXAFIX (Fitting the mixing tool / tool change-over):

Insert the mixing tool with the HEXAFIX mount in the coupling until it locks. To release or change the mixing tools, simply pull back the handle-collar on the coupling and this releases the mixing tool.

Operation

- ▶ Check that the power supply shown on the rating plate is the same as the mains power supply.

XQ1

Always hold the machine with both hands.

Press the **release button (1)**.

Press the **ON/OFF switch (2)**.

The more pressure you apply to the ON/OFF switch, the faster the machine will run. The ON/OFF switch cannot be locked!

To stop working, release the ON/OFF switch.

When the machine is connected to the mains voltage, the last selected speed setting appears on the **display (3)**.

Always hold the machine with both hands.

XQ4: The LOW (400 rpm) or MED (550 rpm) or HIGH (700 rpm) speed can be selected by briefly pressing the **TIMER / SPEED button (G)**.

XQ6: The **+/- buttons (E)** can be used to set the maximum speed in the range between 300 rpm and 750 rpm. To start the machine, first press the **release button (1)**.

The machine starts up when the **ON/OFF switch (2)** is subsequently pressed.

The display automatically switches to the **time display (B)** of the currently completed mixing time.

The set **maximum speed (C)** can still be recognised at the bottom edge via the bar display.

The more pressure you apply to the **ON/OFF switch (2)**, the faster the machine will run.

The ON/OFF switch cannot be locked!

The speed increases until the set maximum is reached.

The measurement of the current mixing time only continues while the ON/OFF switch is being pressed.

To stop working, release the ON/OFF switch.

The measurement of the current mixing time is paused.

The mixing time display can be set to 0:00 at any time:

XQ4: long press on **TIMER / SPEED (G) button**

XQ6: Press the **TIMER RESET button (F)**

If the machine stops for more than 1 minute, the machine automatically performs a RESET of the mixing time.

The last selected speed appears briefly in the display, after which the display changes to the mixing time display 0:00.

The maximum mixing time in the display is 9:59.

The display dims automatically after 20 seconds.

When any button is pressed, the display lights up again for better legibility.

If an error code (e.g. E06) appears on the display (only XQ4/XQ6), disconnect the machine from the mains by pulling out the plug and allow it to cool down if necessary. After reconnecting to the mains, the control unit restarts and deletes the error code.

Tips for safe working:

Always reduce the speed when submerging the mixing tool in the mixing material or lifting it out. Once the mixing tool is fully submerged, increase the speed again to ensure that the motor is adequately cooled.

During mixing you should guide the machine around the mixing container. Continue mixing until all of the mixing material is completely mixed. Please follow the processing instructions of the manufacturer of the material.

You work better and safer when the mixing tool used is clean, free of material residues and in perfect condition.

The greater the viscosity of the material, the greater the impact of the torque forces on the machine, so you should be prepared for this when you carry out your work.

If the mixing tool comes into contact with a surface (e.g. the bottom of the tub) while running, it may kick back.

Set the machine down resting on the guard handle after you have finished your mixing work.

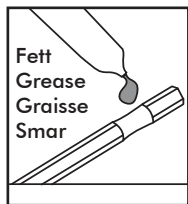
For transportation purposes the HEXAFIX mixing tool can be inserted through the hexagon punch-hole provided in the handle frame.

Care and maintenance

⚠ DANGER: Before you carry out any operations on the machine, and especially when changing the mixing tool, always pull out the power plug out first.

Clean the machine and the mixing tool immediately after use. Remove any dirt with a dry cleaning cloth. We recommend that you use the Collomix MIXER CLEAN cleaning bucket for cleaning.

Keep the HEXAFIX coupling clean and freely moving at all times. Take the mixing tool out of the coupling after you have finished your work.



Grease the hexagon mount of the coupling at regular intervals with suitable grease.

Keep the ventilation slits clean and clear at all times so that the machine can be properly cooled. Blocked ventilation slits will lead to irreparable damage to the machine.

Make sure that the ON/OFF switch moves and releases smoothly at all times.

The machine is equipped with self-deactivating carbon brushes. This means that the machine will shut itself down once a certain level of wear is reached. The carbon brushes can be replaced by the authorized customer service center or by the Collomix Service center.

To avoid safety hazards, all repairs, in particular the replacement of the mains connection cable, must only be carried out by an approved workshop or by your Collomix Service!

Only use original Collomix accessories (e.g. mixer, adapter, extension) and spare parts. Suitable accessories, exploded drawings, spare parts lists for your machine and the form for repair orders can be found at www.collomix.com

Disposal

The device, accessories and packaging should all be consigned for environment-friendly recycling.

Electrical tools which have come to the end of their service lives must be made unusable by removing the mains power cable. Do not dispose of electrical tools with household waste.

For EU countries only:



In accordance with EU Directive 2002/96/EC concerned with used electrical and electronic equipment and the incorporation of the requirements of the directive in national legislation, unusable electrical equipment must be collected separately and consigned for environment-friendly recycling.

Warranty

The manufacturer provides a warranty within the framework of his terms and conditions of delivery in accordance with the requirements of statutory/country-specific provisions. Should you need to make a claim under the warranty, please provide us with your invoice or delivery note.

On no account will any warranty claims be accepted if any repairs are carried out by third parties. In the event of any irregularities, please send the machine to us. Complaints can only be accepted if the device is sent to the Collomix Service center undismantled.

The warranty does not apply to damages caused by normal wear, overloading, improper handling, unsuitable accessories or inadequate maintenance.

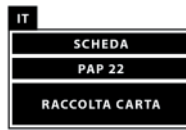
Any structural or functional modifications to the machine which are made without our agreement shall render the warranty and the Declaration of Conformity null and void.

Subject to change.

Manufacturer:
Collomix GmbH
Daimlerstrasse 9
85080 Gaimersheim
Germany
www.collomix.com



www.collomix.com



Collomix GmbH
Daimlerstraße 9
85080 Gaimersheim
Germany
info@collomix.de
www.collomix.com

